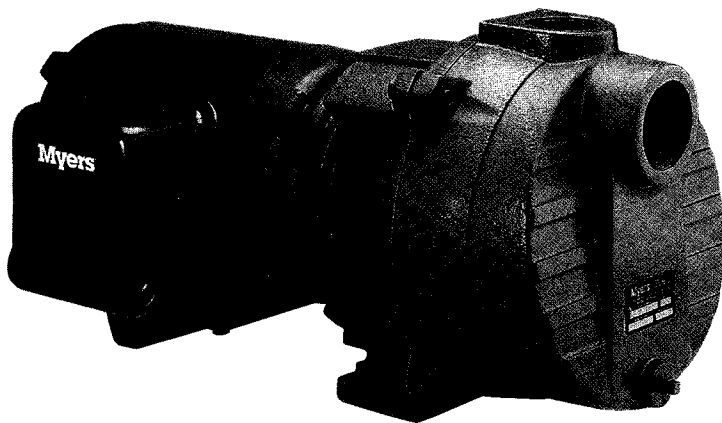


QUICK PRIME

5 HP High Head
Self-Priming Centrifugal Pump



MYERS POWERFUL HIGH HEAD 5 HP SELF-PRIMING PUMP DELIVERS STRONG DEPENDABLE PERFORMANCE FOR THE MOST DEMANDING JOBS. The heavy duty 184JM motor, brass impeller, and large capacity rugged cast iron pump end deliver reliable and continuous high performance service. For more details, contact your Myers distributor or Myers headquarters located in Ashland, Ohio (Since 1870) at 419-289-1144.

ADVANTAGES BY DESIGN

- **Powerful Performance**
 - maximum head of 178 feet (77 psi)
 - flow capabilities to 135 gpm
- **Heavy Duty Motor**
 - full frame 184JM design
 - extra large, double-ball bearings
 - non-overloading, continuous duty rating
 - strong capacitor start
 - single or three phase options
- **Rugged Pump Case and Motor Bracket**
 - high tensile cast iron
- **Lead-Free Brass Impeller**
 - precision machined and balanced for smooth, quiet operation
- **Quick Priming**
 - large case for maximum water retention to insure quick and easy priming
 - true self-priming design with top suction inlet retains water in case and maintains the prime
 - exclusive diffuser plate with stainless steel impeller wear ring for fast priming
- **Mechanical Shaft Seal**
 - precision lapped and polished carbon/ceramic faces, buna elastomers, and stainless steel metal components
 - top suction pump design prevents the seal from running dry
- **Corrosion Resistant Design**
 - lead-free brass impeller
 - ceramic/glass composite diffuser with stainless steel wear ring
 - durable enamel paint applied to inside and outside of castings
- **Easy Serviceability**
 - convenient back pull-out design

WHERE INNOVATION MEETS TRADITION

Country water™

ISO 9001 Registered Quality System

Myers®
Pentair Pump Group

QUICK PRIME

5 HP High Head
Self-Priming Centrifugal Pump

PUMP SPECIFICATIONS

Catalog No.	Pipe Tapping Sizes		Motor Voltage	Phase	Max. Amps	Approx. Wt. Lbs.
	Suct.	Disch.				
QP50B	2½"	2"	230	1	29.0	159
QP50B-3	2½"	2"	207/230/460	3	13.4/13.2/6.6	125

APPLICATIONS

- Sprinkler Systems
- Irrigation
- Booster Service
- Water Transfer, Circulation, and Supply
- Dewatering
- Fire Protection
- Industrial/Commercial Applications Requiring Large Flow Rates

CABLE SELECTION

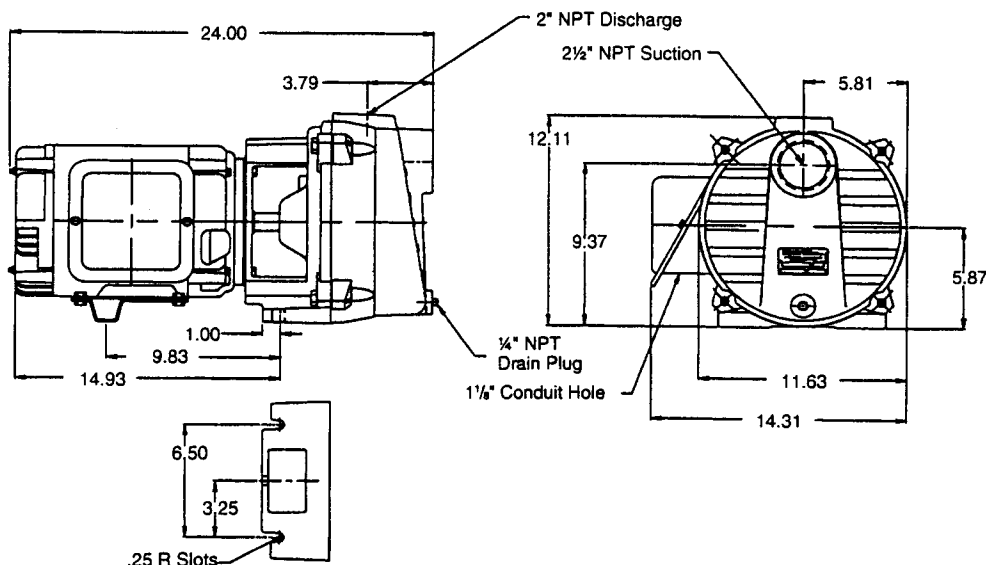
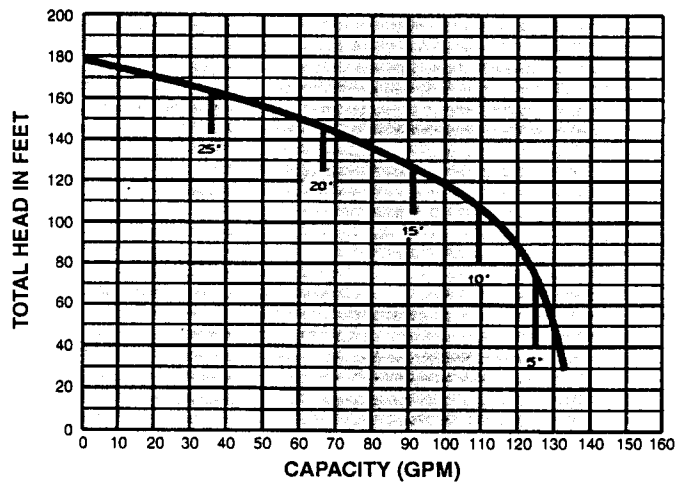
Motor Rating		Copper Wire Size							
Voltage	Phase	14	12	10	8	6	4	2	0
230	1	---	---	---	150	250	400	625	1000
207	3	---	---	160	250	400	640	1020	1630
230	3	---	130	210	340	540	850	1360	2160
460	3	330	530	850	1350	2150	3422	5440	8650

This table is based on copper wire. If aluminum wire is used it must be two sizes larger. Example: When the table calls for #12 copper wire you would use #10 aluminum wire.

PUMP PERFORMANCE

Total Suction in Feet	Discharge Pressure (GPM)					Max. Pressure (psi)	Pipe Size	
	10 psi	20 psi	30 psi	40 psi	50 psi		Suct.	Disch.
0	134	130	126	120	104	77	2½"	2"
5	125	123	113	107	98	75		
10	110	108	107	103	88	72		
15	91	90	88	84	80	70		
20	67	65	63	62	40	63		

PERFORMANCE CURVE



K3841 1/01
Printed in U.S.A.



Myers®

Pentair Pump Group

F. E. Myers, 1101 Myers Parkway, Ashland, Ohio 44805-1969
419/289-1144, FAX: 419/289-6658, www.femyers.com

Myers (Canada), 269 Trillium Drive, Kitchener, Ontario N2G 4W5
519/748-5470, FAX: 519/748-2553