



- M2000 Stainless
- Weatherproof
- Direct Burial
- Hardwire
- Plug-in

**12V Power Supplies
and Accessories**

M 2000 Stainless Steel - Weatherproof Transformers

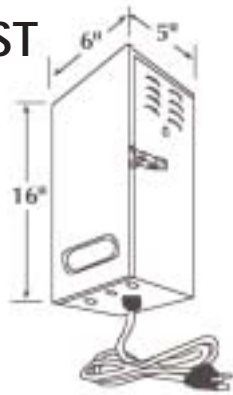


WHY USE M 2000 KITS?

1. Modular design enables fast and easy field upgrades. Add or remove any control device in minutes. No down time!
2. Transformer never leaves job site, makes repair work hassle-free. No return of unit to factory.
3. Add additional power modules for increased capacities. More lighting for new applications.
4. Less inventory required, stock 1 or 2 main units and Kits for upgrading.
5. Saves you time, money, aggravation, and frustration. *Keeps you and your customers happy!!!*



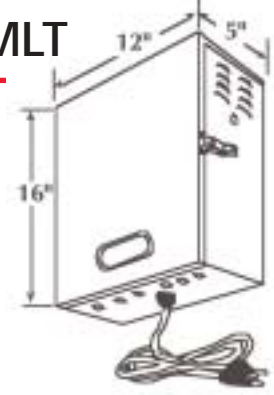
MST



CATALOG #
 MST-12-200
 MST-12-300
 MST-212-600

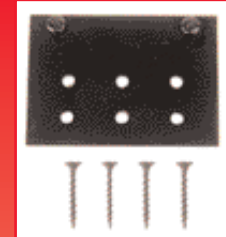


MLT



CATALOG #
 MLT-312-900
 MLT-412-1000
 MLT-412-1200

MLT-412-1200-2T-RPC

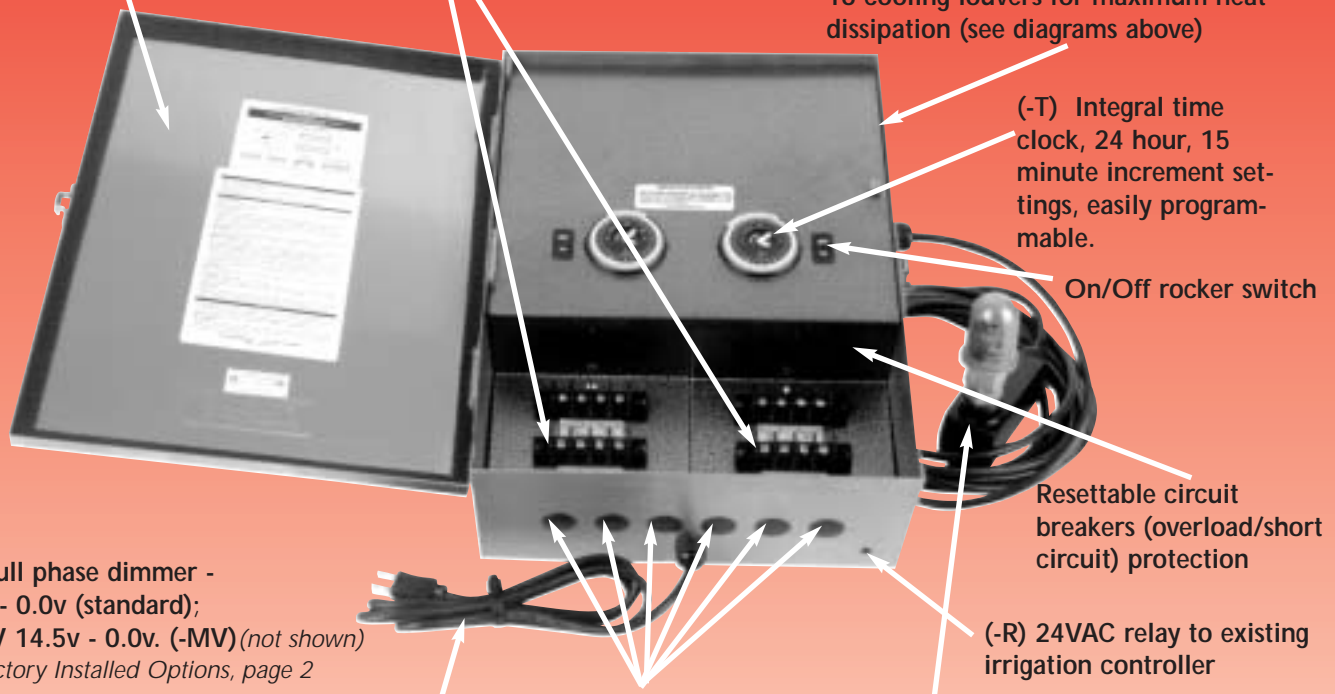


18 gauge #4 brushed stainless steel enclosure and latchable hinged door.

Supplied with mounting plate & hardware for easy installation (key slotted back)

75 amp extra heavy duty terminal block. 1, 2, or 3 sets of cable can be stacked in each terminal.

16 cooling louvers for maximum heat dissipation (see diagrams above)



(-D) Full phase dimmer - 12.5v - 0.0v (standard); w/MV 14.5v - 0.0v. (-MV) (not shown)
 See Factory Installed Options, page 2

(-T) Integral time clock, 24 hour, 15 minute increment settings, easily programmable.

On/Off rocker switch

Resettable circuit breakers (overload/short circuit) protection

(-R) 24VAC relay to existing irrigation controller

6' SJT-WA grounded power cord (18/3 - 120v)

6 x 1/2" Knock Outs for conduit feed. 3/4" or 1" Knock Outs also available

(-RPC) remote Photocell w/15' cord & mounting hub (available up to 50'), dusk to dawn automatic control

M 2000 S stainless Steel - Weatherproof Transformers



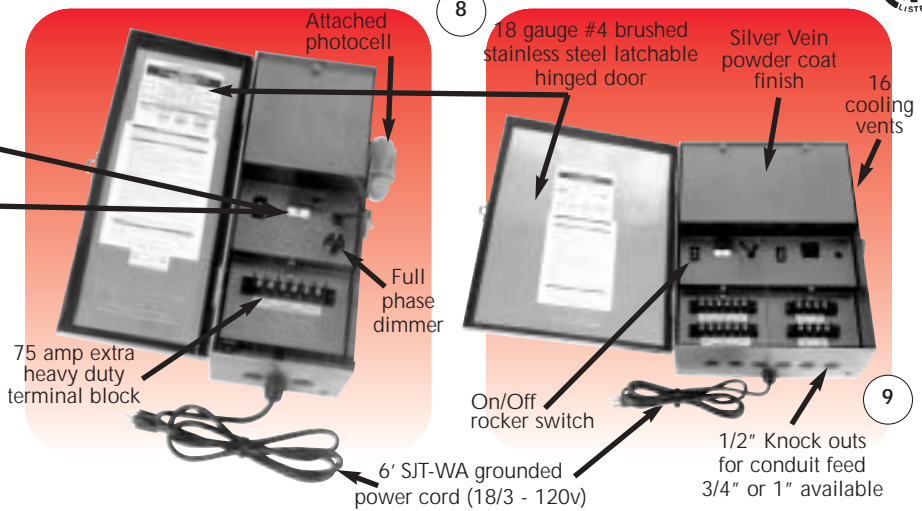
MST-12-300-TR-D-MV

MST-412-1200-TR-MV2

FEATURING (-TR) OPTIONS

- Timer-Ready Receptacle for Use with Plug-In Intermatic Timer* Simply Plug in Timer for Use.
- X10 Module* - Remote Control Ready
- Easy Replacement of Timer or Control Device, within seconds
- Manual Operation
- 3/4" and 1" Knockouts Available. Consult Factory

*Intermatic Timer and X10 Module not supplied through FOCUS Industries. Consult factory for suppliers.

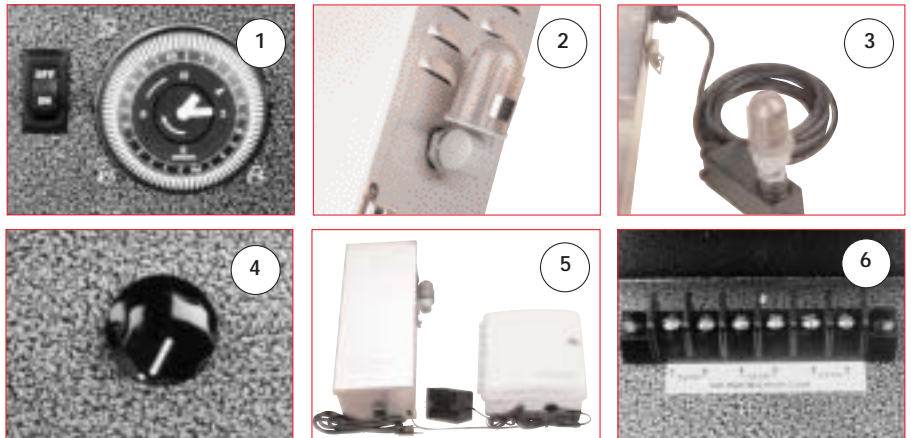


MST/MLT OPTIONS

FACTORY INSTALLED (Add following to catalog #)

1. Integral timer (-T) Not for -TR Transformers
2. Photocell (-PC) Attached*
3. Remote Photocell (-RPC)*
4. Full Phase Factory Installed Dimmer (-D)*
5. 24VAC Relay (-R)
6. Multi-Voltage Output (-MV)*; 12.5, 13.5, 14.5 volt taps
7. Multi-Voltage Input (-MVI): 277 or 220/240 50 hz., 300 VA Only. 12.5v input only (not shown)
8. Timer Ready (-TR), Remote Control (-X10)
9. 3/4" or 1" Knock Outs available

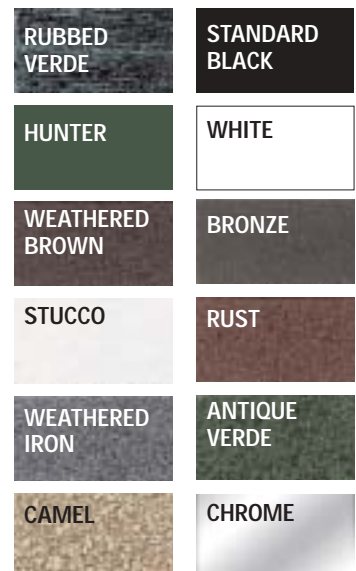
*Timer Ready Transformers have these options available



MST/MLT SPECIFICATIONS

- Heavy Duty 18 Gauge Brushed Stainless Steel Enclosure with Hinged Locking Door
- Rain Tight Enclosure, Above Grade (Nema 3R Type)
- Long Life, High Temperature (130° C) 266° F Class 'B' Rated Transformers
- Isolation/Insulation type. No Contact Between 120V and 12V Windings. Copper Shield.
- 1500 Volt Isolation Between All Windings and Ground
- 11 Gauge Cold Rolled Steel 'L' Brackets for Stable Mounting
- Grade M19 Electrical Grade Steel for Superior Electrical and Magnetic Properties
- Strip Copper Secondary Windings for Lower Temperature Rise
- Single Phase, Open Core and Coil.
- EI Laminated Windings (Linear Output) Vacuum Impregnated w/Black Slate Flour Filled Varnish for Superior Heat dissipation and Noise Reduction. Class 180° C.
- 120V Primary, 12.5 Volt Secondary 50/60 Hertz/cycle Standard
- 6 Foot (18/3) SJT-WA Weatherproof Grounded Power Cord (120V)
- On/Off Control via Rocker Switch
- Extra Heavy Duty (75 amp) Terminal Block Easily Handles Extra Sets of Cable.
- Resettable Circuit Breaker for Overload and Short Circuit Protection
- U.L. 1838 Listed. The Standard for Low Voltage Landscape Lighting Systems.
- All Units are Supplied with Knock Outs for Easy Upgrading or Adding of Accessories.
- MST Series has 3 x 1/2" Knock Outs for Conduit Feed of 12V Cable.
- MLT Series has 6 x 1/2" Knock Outs for Conduit Feeds of 12 Volt Cable.
- 3/4" or 1" Knock Outs Available. Consult Factory.

POWDER COAT FINISH OPTIONS



M 2000 Stainless Steel - Weatherproof Transformers

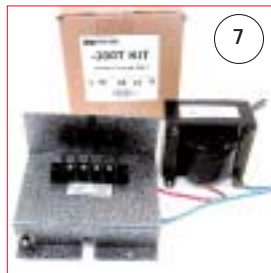
When ordering field installed kits, you must specify for use with MST or MLT. Kits are not universal for both series. Kits not available for (-TR) series.



FIELD INSTALLED KITS: Designate MST or MLT Series

- | | |
|------------------------------------|-----------------------------------|
| 1. Integral Timer Kit (-T KIT) | 6. 100w Power Kit (-100 KIT) |
| 2. Photocell Kit (-PC KIT) | 7. 300w Power Kit (-300 KIT) |
| 3. Remote Photocell Kit (-RPC KIT) | 8. 300wMV Power Kit (-300MV KIT) |
| 4. Full Phase Dimmer Kit (-D KIT) | 9. 600w Power Kit (-600 KIT) |
| 5. 24 VAC Relay Kit (-R KIT) | 10. 600wMV Power Kit (-600MV KIT) |

Note: All below kits are plug and go, supplied with instructions and all hardware to make the upgrade. Simply plug 1/4" quick connector to the designated terminal and you're ready to enjoy your new or existing landscape lighting system.

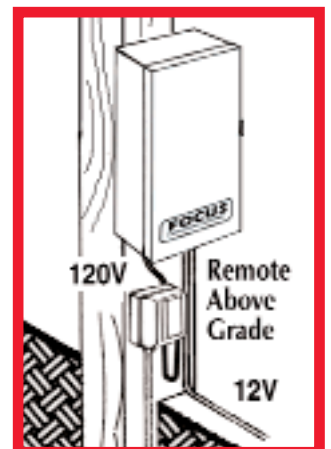
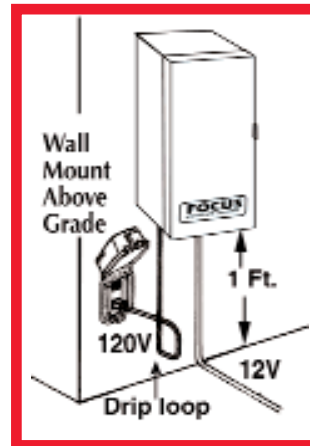


MOUNTING LOCATIONS

Dictated by where (120V) power is available. Normally in the garage, closet, car port, attic, basement, utility shed, pool enclosure or house exterior. When used outdoors, you must utilize a weatherproof cover over the electrical outlet. In some cases (120V) power must be pulled into or placed in a specific location for best results.

MOUNTING INSTRUCTIONS

Mount all M 2000 Series weatherproof transformers within 2 ft. of a standard electrical (110/120v) receptacle with the provided mounting plate and screws. Minimum 1 ft. above ground or grade for outdoor use. Attach and crimp flange spade connectors (supplied) to the ends of low voltage direct burial cable, then place in proper designated terminal block sections and tighten securely. Plug grounded power cord into a recommended ground fault circuit interrupter (GFCI) with a weatherproof junction box cover to prevent possible shock/short circuit as per National Electric code. Provide a water drip loop for the power cable to insure water will not flow directly into the receptacle. See illustrations to the right.



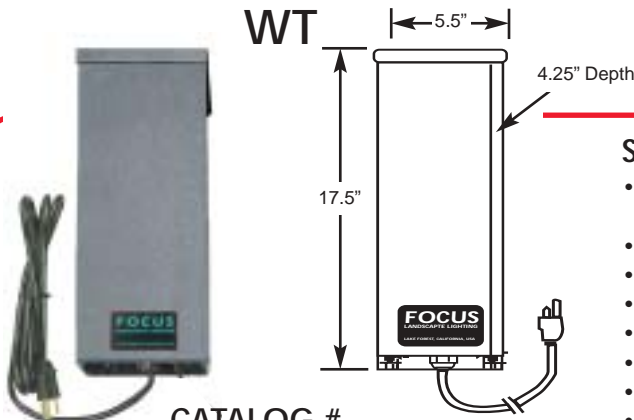
WARRANTY FOR M2000 SERIES

Limited lifetime warranty on enclosure. 10 year warranty on electrical components. 3 year warranty on Integral Time Clock. No warranty on plug in timers or other parts not supplied by FOCUS Industries.



All products listed to UL Standards 1838 and/or 1598. Most Products Made in the USA.

WT Series - Weatherproof Transformers



CATALOG

1 CIRCUIT

WT-12-100
WT-12-200
WT-12-300

3 CIRCUIT

WT-312-900
(3 x 300 watts)

2 CIRCUIT

WT-212-200
WT-212-300
WT-212-600

4 CIRCUIT

WT-412-1200
(4 x 300 watts)

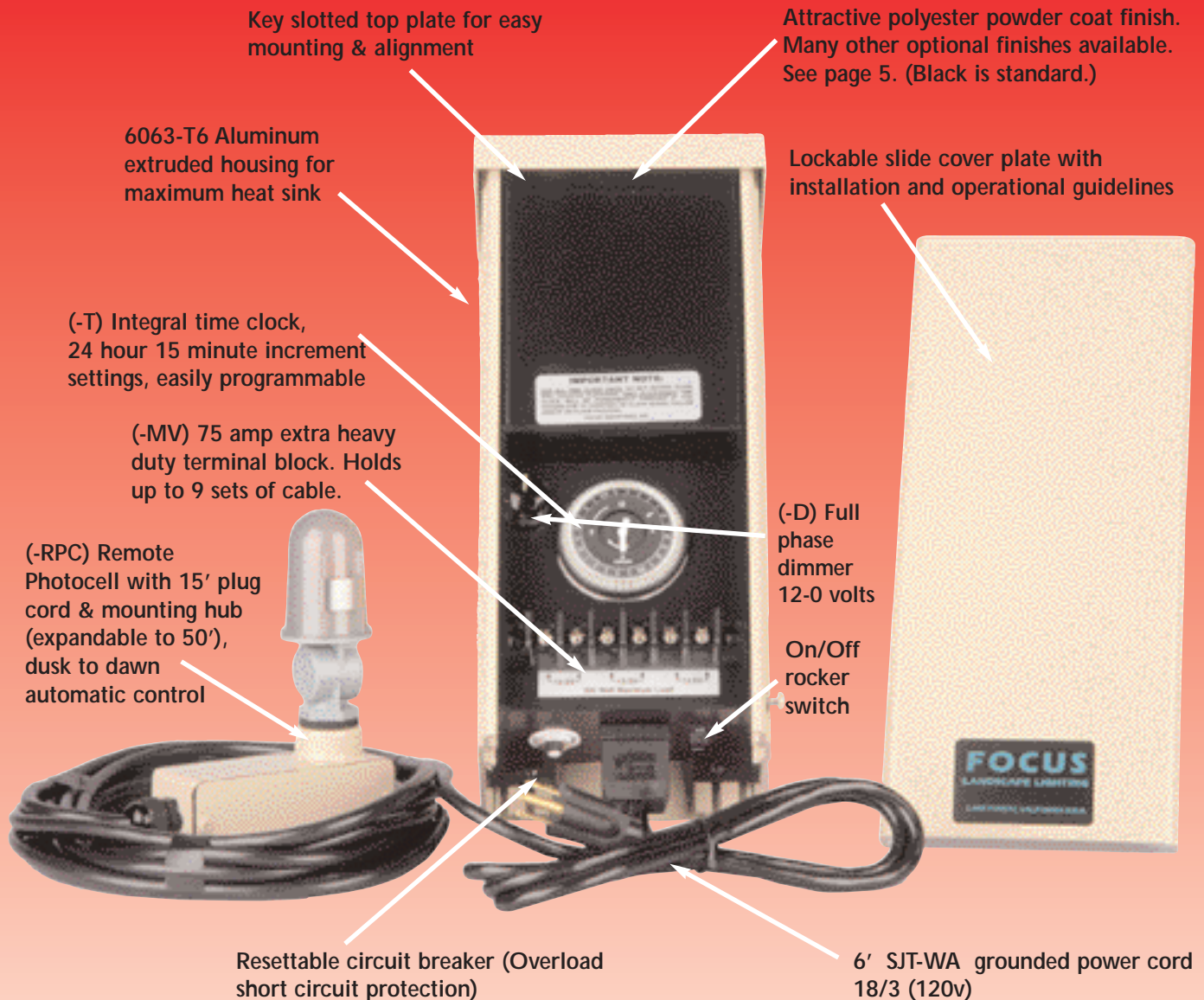
SPECIFICATIONS WT (Weatherproof Nema 3R)

- Heavy duty extruded aluminum housing (.125) 6063-T6 with locking slide cover
- Powder coated black polyester (Optional finishes available)
- Rain tight enclosure, above grade (Nema 3R)
- Long life-high temperature (130° C.) rated transformers
- Isolation/Insulation type. No contact between 120v and 12v windings
- Single phase, open core and coil
- 120v primary, 12v secondary 50/60 Hertz/cycle
- 6 foot (18/3) SJT-WA weatherproof grounded power cord (120v)
- On/Off control via rocker switch
- Extra heavy duty (75 Amp) terminal block easily handles extra sets of cable
- U.L. 1838 listed. The standard for low voltage landscape lighting systems

WARRANTY FOR WT SERIES

10 year warranty on enclosure. 3 year warranty on all electrical components. No warranty on plug in timers or other parts not supplied by FOCUS Industries.

WT-12-300-T-RPC-MV-D-Beige



WT Series - Weatherproof Transformers



FEATURING (-TR) OPTIONS

• Timer-Ready Receptacle for Use with Plug-In Intermatic Timer* Simply Plug in Timer for Use.

• X10 Module* - Remote Control Ready

• Easy Replacement of Timer or Control Device, within seconds

• Manual Operation

**Intermatic Timer and X10 Module not available through FOCUS Industries. Consult factory for suppliers.*



WT-312-900-TR-PC-MV2

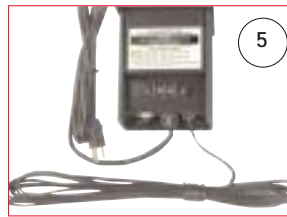
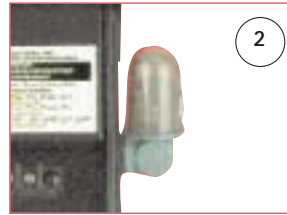
WT-12-300-TR



WT OPTIONS

FACTORY INSTALLED (Add following to catalog #)

1. Integral timer (-T)
2. Photocell (-PC) Attached*
3. Remote Photocell 15' cord (-RPC)*
4. Full Phase Factory Installed Dimmer (-D)*
5. 24VAC Relay (-R)
6. Multi-Voltage Output (-MV)*;
12.5, 13.5, 14.5 volt taps
7. Multi-Voltage Input (-MVI): 277 or 220/240
50 hz., 300 VA Only. 12.5v input only (not shown)
8. Timer Ready (-TR), Remote Control (-X10)
9. Accessory Knock Out Plate for Conduit Feed (-FA101) 1/2" Knock Out



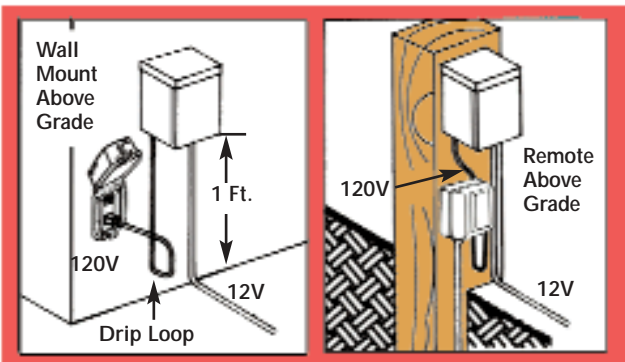
**Timer Ready Transformers have these options available*

SHOWN WITH NO ACCESSORIES



POWDER COAT FINISH OPTIONS

RUBBED VERDE	STANDARD BLACK
HUNTER	WHITE
WEATHERED BROWN	BRONZE
STUCCO	RUST
WEATHERED IRON	ANTIQUE VERDE
CAMEL	CHROME



MOUNTING LOCATIONS

Dictated by where power (120V) is available. Normally in garage, closet, car port, utility shed, pool enclosure, attic, basement, or house exterior. When used outdoors, you must utilize a weatherproof cover on the electrical outlet. In some cases (120V) power must be pulled into or placed in a specific location for best results. **A weatherproof receptacle must be used.**

MOUNTING INSTRUCTIONS FOR WEATHERPROOF TRANSFORMERS

Mount all weatherproof transformers within 2 ft. of a standard electrical 110/120v receptacle with provided mounting screws and plate. Minimum 1 ft. above the ground or grade for outdoor use. Attach and crimp flange spade connectors (supplied) to end of low voltage direct burial cable, then place in proper terminal block sections and tighten securely. Plug grounded power cord into a recommended ground fault circuit interrupter (GFCI) with a weatherproof junction box cover to prevent possible shock/short circuit as per National Electric Code. Provide a water drip loop for the power cable to insure water will not flow directly into the receptacle. See above illustration.

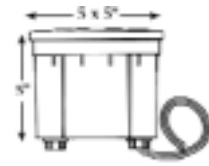
Direct Burial Transformers



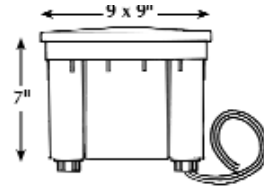
DB-12-100/200/300



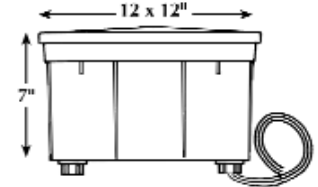
DB-12-75 not shown
(grey in color)



DB-12-100/200/300



DB-212 -600/312-900/412-1200



CATALOG

1 CIRCUIT
DB-12-75
DB-12-100
DB-12-200
DB-12-300

2 CIRCUIT
DB-212-300
DB-212-600

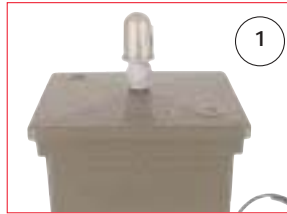
3 CIRCUIT
DB-312-900

4 CIRCUIT
DB-412-1200

DB OPTIONS

FACTORY INSTALLED (Add following to catalog #)

1. Photocell (-PC) Attached
2. 24 VAC Relay (-R)
3. Multi-Voltage Output (-MV);
12.5, 13.5, 14.5 volt taps
4. Top Mount Fixture (for 1-3 fixtures) or control device
Specify at time of order.
5. Multi-Voltage Input (-MVI): 277 or 220/240
50 hzt., 300 VA Only. 12.5v output only (not shown)



DB-12-300 W/2xDL21

SAFETY FEATURES

- Long life, high temperature (130° C) transformers
- Isolation/insulation type, no contact between 120v and 12v windings
- Single phase, open core and coil
- Completely potted for longer life, more efficiency and reduced noise
- Must be installed by a licensed electrical contractor per local codes.

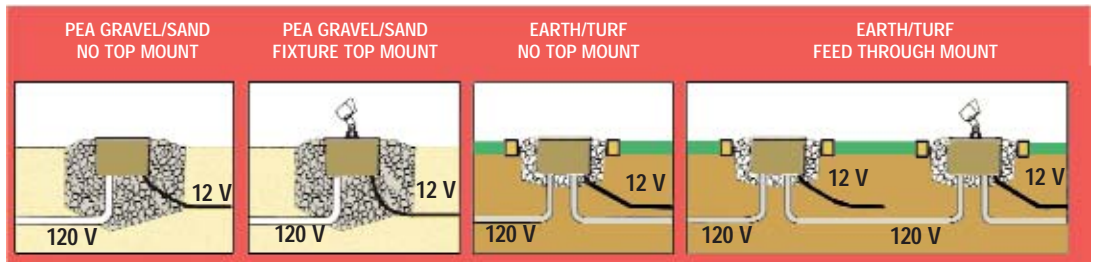
SPECIFICATIONS

- Brown high temp. fiberglass reinforced composite box and cover (heavy duty)
Except DB-12-75 Grey PVC housing.
- Nema 12: Below grade enclosure for direct burial applications
- 2 foot 12/2 cable lead wire for low voltage connections (1 per circuit or voltage)
- In-line fuse protection for DB-12-75 (Electronic Balast) Circuit breaker protection of all other models
- 3 available 1/2" NPS mounting hubs on cover. Must specify which hole to tap at time of order.
- 120 volt primary, 12.5 volt secondary, 50/60 Hertz/cycle

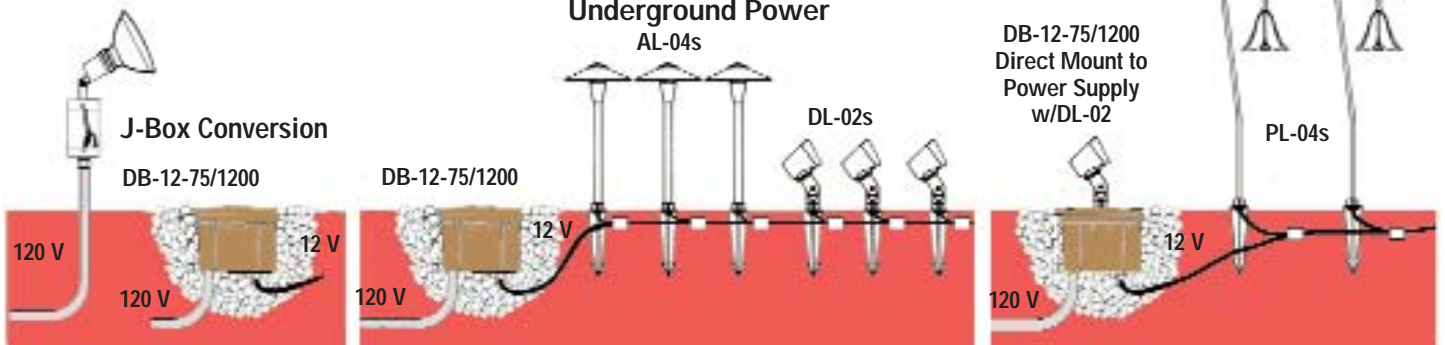
INSTALLATION INSTRUCTIONS: All direct burial transformers must be accessible for servicing. Install at highest grade to allow water to run off. Usually 1/2" to 1" higher than grade. The preferred drainage material is pea gravel or sand. Do **NOT** allow water to gather near unit. Do not install in low grade areas. You can mount unit in a valve box, however there must be plenty of room for servicing the unit. All connections and fittings must be liquid tight.

KEEP IN A DRY LOCATION, IF POSSIBLE!!!

You can feed through to another DB unit or power source. You must specify at time of order if you want top holes drilled and tapped 1/2" NPS.



APPLICATIONS



Hard Wire Transformers

CATALOG # HW-12-75

SPECIFICATIONS

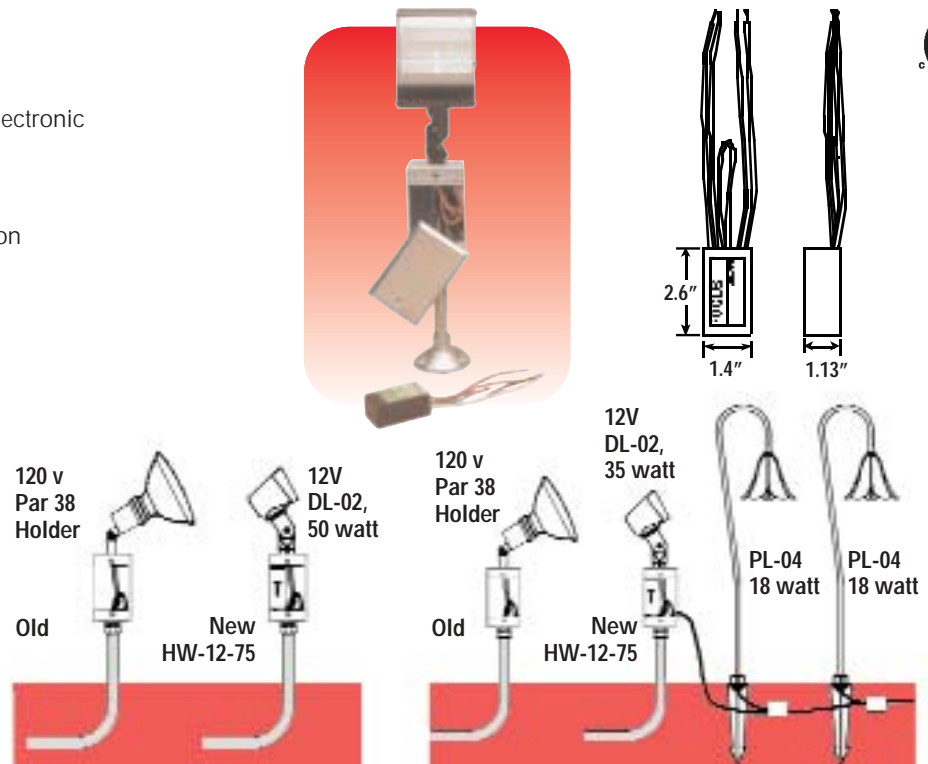
- 120 volt input/11.5 volt output - 75 watts - Electronic
- Flame retardant high temperature housing
- No audible noise
- Light weight, compact design
- Electronic short circuit and overload protection
- Moisture and shock resistant
- 25 KHz operating frequency, 95% efficiency
- 10 watt minimum load required
- Minus 25°C. starting capability

IMPORTANT NOTE: DO NOT USE HW-12-75 or PI-12-75 with 12 volt fluorescent fix-

APPLICATIONS

- Retrofit existing 120v junction boxes to 12 volt
- Converting to 12 volt allows fixtures to mount to top of J-box or cable distribution on the back or bottom of J-box for additional fixtures.

NOTE: 1 HW unit per single gang weatherproof J-box. For a 2 gang J-Box, 2 units or 150 watts can be used.



Plug In Transformers

CATALOG # PI-12-75

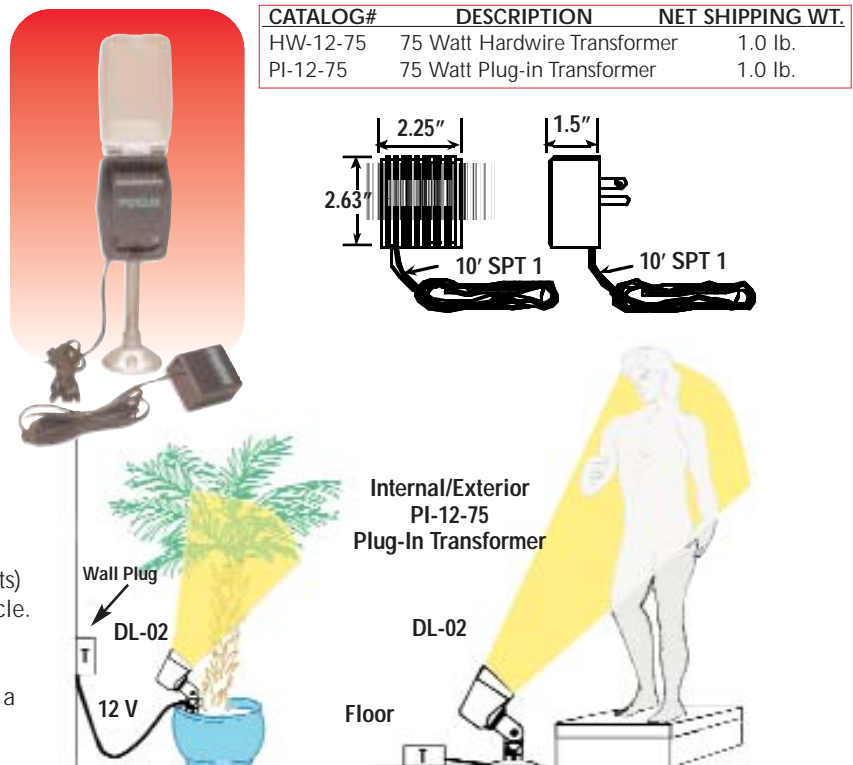
SPECIFICATIONS

- 120 volt input, 11.5 volt output, 75 watts - Electronic
- Black flame retardant high temperature housing
- No audible noise
- Light weight, compact design
- Electronic short circuit and overload protection
- Moisture and shock resistant
- 25 KHz operating frequency, 95% efficiency
- 10 watt minimum load required
- Minus 25° C. starting capability
- Nickel plated hospital grade 120v grounded plug
- 10 foot 18/2 lead wire supplied

IMPORTANT NOTE: DO NOT USE HW-12-75 or PI-12-75 with 12 volt fluorescent fixtures!!! Failure may occur with both units.

APPLICATIONS

- Instant conversion of 120v receptacle to 12v-75 watts
- Single or multiple fixtures can be used (not to exceed 75 watts)
- Hotel lobbies, atriums, gazebos. Wherever there is a receptacle.
- For highlighting single or multiple objects from a concealed power supply
- For interior or exterior uses. If outdoors, must be enclosed in a weatherproof receptacle cover.



CATALOG#	DESCRIPTION	NET SHIPPING WT.
HW-12-75	75 Watt Hardwire Transformer	1.0 lb.
PI-12-75	75 Watt Plug-in Transformer	1.0 lb.

FOCUS INDUSTRIES, INC.

25301 COMMERCENTRE DRIVE • LAKE FOREST, CA 92630

PHONE: (949) 830-1350 • TOLL FREE: (888) 882-1350 • FAX: (949) 830-3390

www.focusindustries.com • sales@focusindustries.com

REGIONAL DISTRIBUTION CENTERS

1400 Hanley Industrial, St. Louis, MO 63114 • Ph (314) 962-3570 • Fax (314) 962-5449

6809 New State Road, Philadelphia, PA 19135 • Ph (215) 624-8650 • Fax (215) 624-8660

12139 S. W. 131 Avenue, Miami, FL 33186 • Ph (305) 233-6581 • Fax (305) 233-6725

1412 Dunn Street, Carrollton, TX 75006 • Ph (972) 245-6461 • Fax (972) 446-7284

1 Lightsky Court, Suite #4, Sacramento, CA 95828 • Ph (916) 386-2233 • Fax (916) 386-2232

Charlotte North Carolina - Future Warehouse Site

MEMBER OF

